



Product Description

The ZS5301-0003 is a mechanical accessory to mount a device on a flat surface or panel without utilizing a DIN-rail. The brackets can be mounted without detaching the DIN-rail brackets.

The order number ZS5301-0003 contains two brackets (one for the left and one for the right side) and two screws needed for one device.

Intended Use

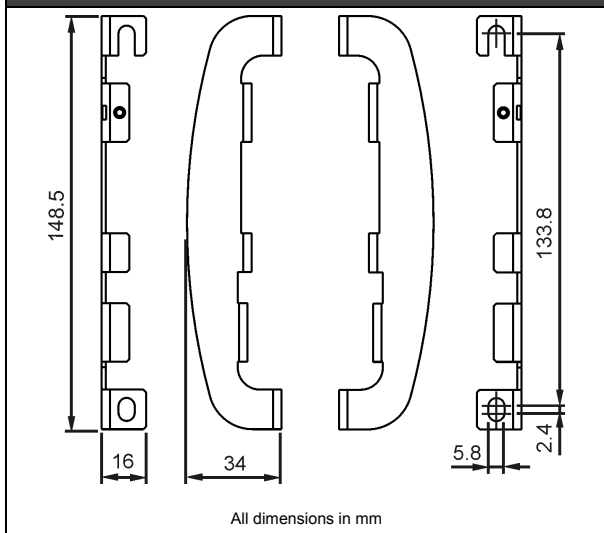
This mechanical accessory is designed for DIN-rail devices. Check the product datasheet of the DIN-rail device to confirm that it is suitable for the desired device.

Technical Data

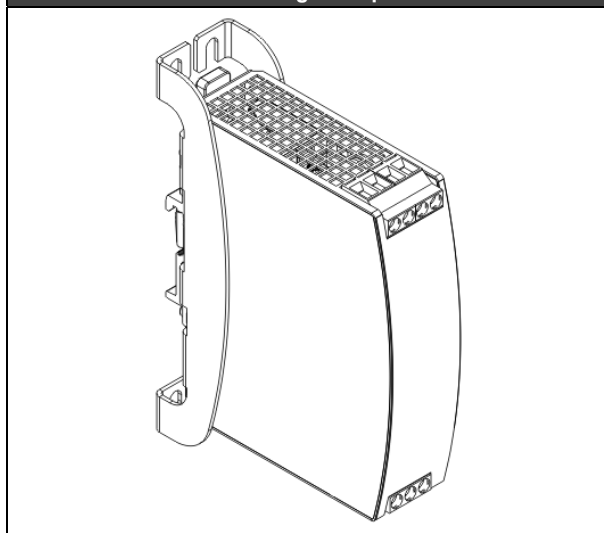
Size (width x height x depth) 16x148.5x34mm

Weight 85g / 0.19lb

Mechanical Dimensions



Mounting Example



Installation Instructions

- 1) Insert the screw on the right wall mount bracket with two full turns.
- 2) Insert and push the right wall mount bracket against the side of the device.
- 3) Tighten the screw.
- 4) Insert the screw on the left wall mount bracket with two full turns.
- 5) Insert and push the left wall mount bracket against the side of the device.
- 6) Tighten the screw.

Installation Instructions