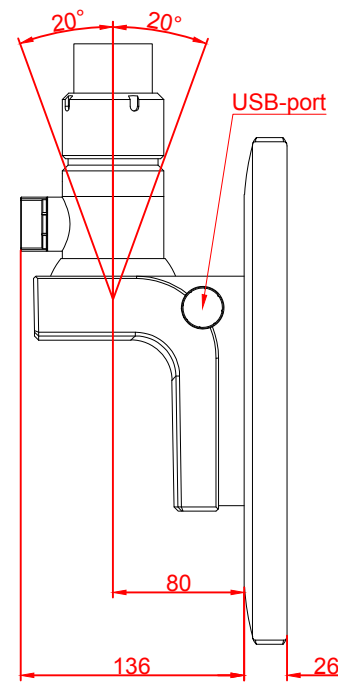
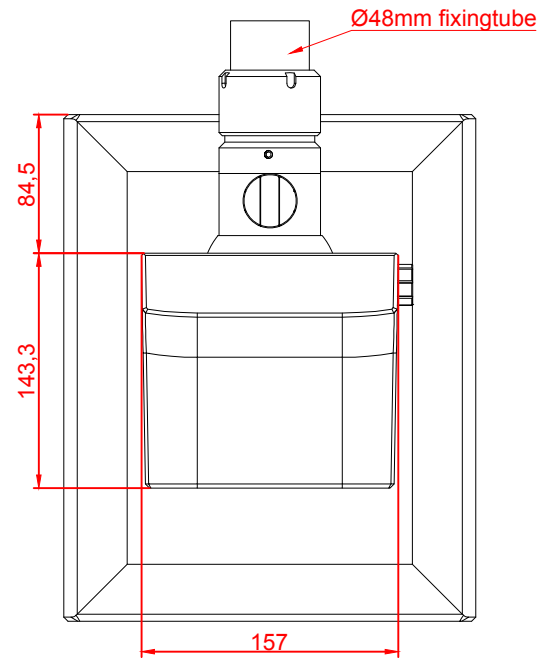


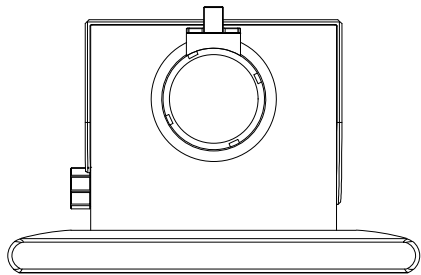
front view



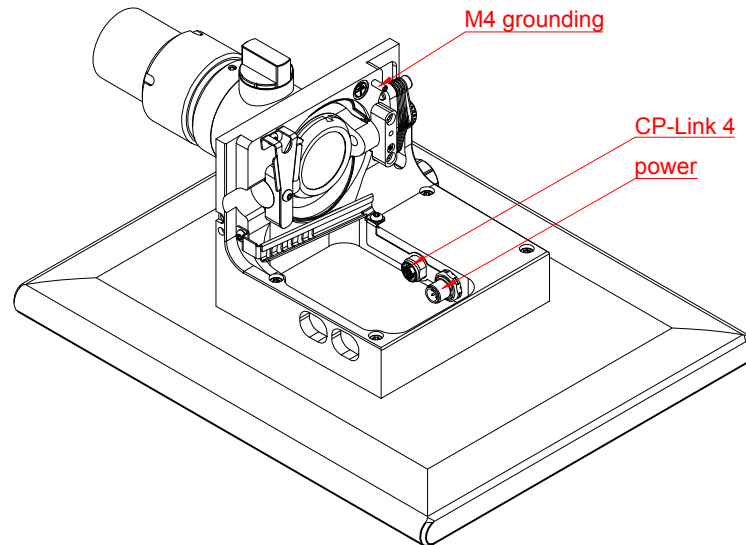
left view



rear view



top view



CP3912-0010-M575-M750-E274

main dimensions and
fixing points

dimensions in mm