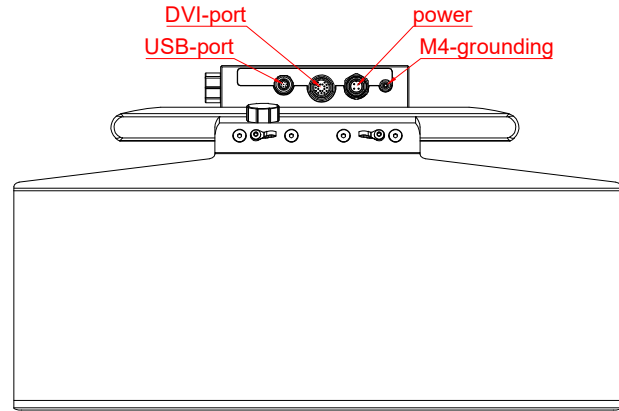


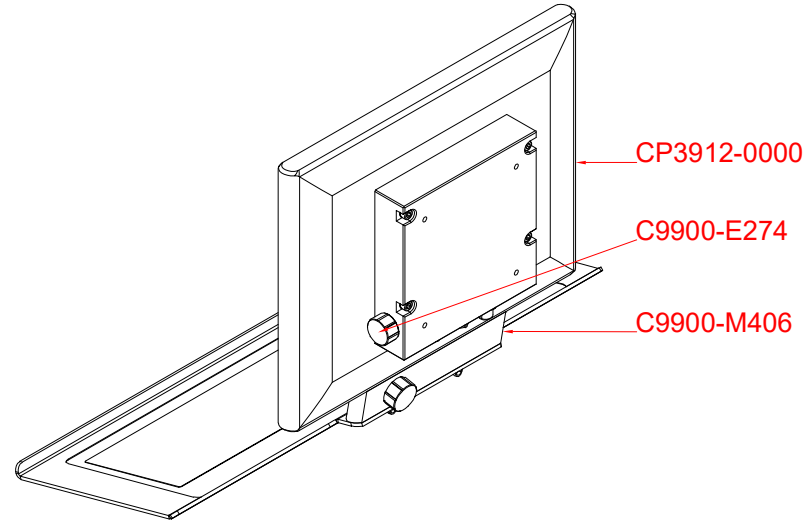
CP3912-0000  
with  
C9900-E274  
C9900-M406

main dimensions and  
fixing points

dimensions in mm



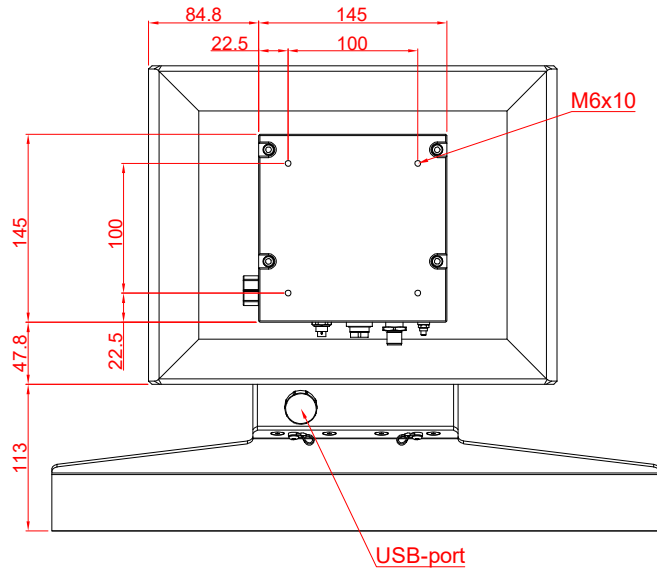
bottom view



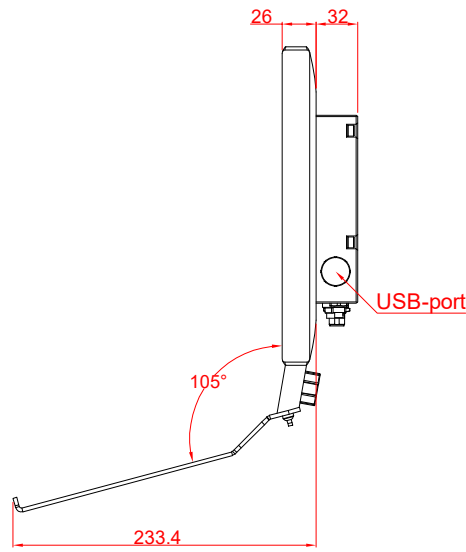
CP3912-0000

C9900-E274

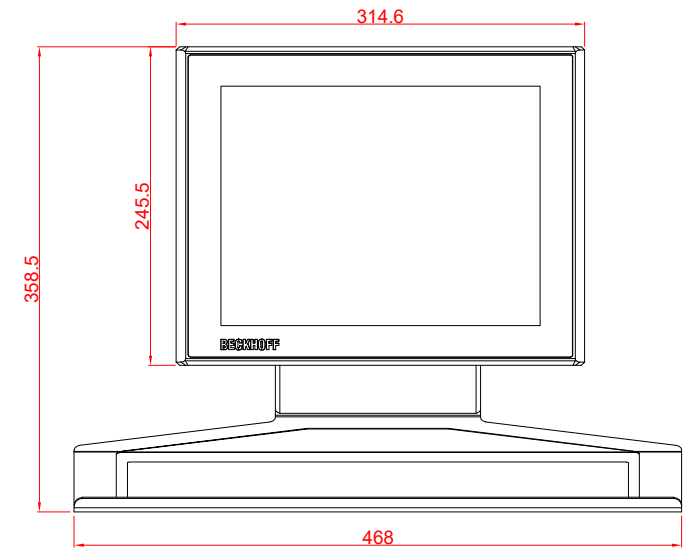
C9900-M406



rear view



side view



front view