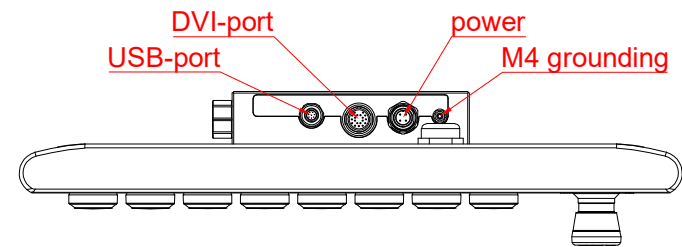


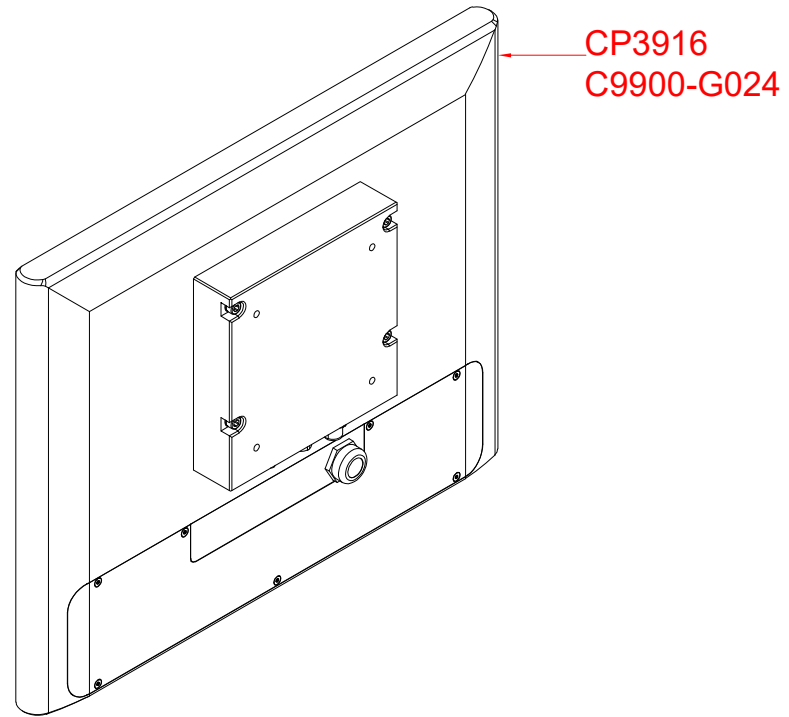
CP3916-0000
with
C9900-G024

main dimensions and
fixing points

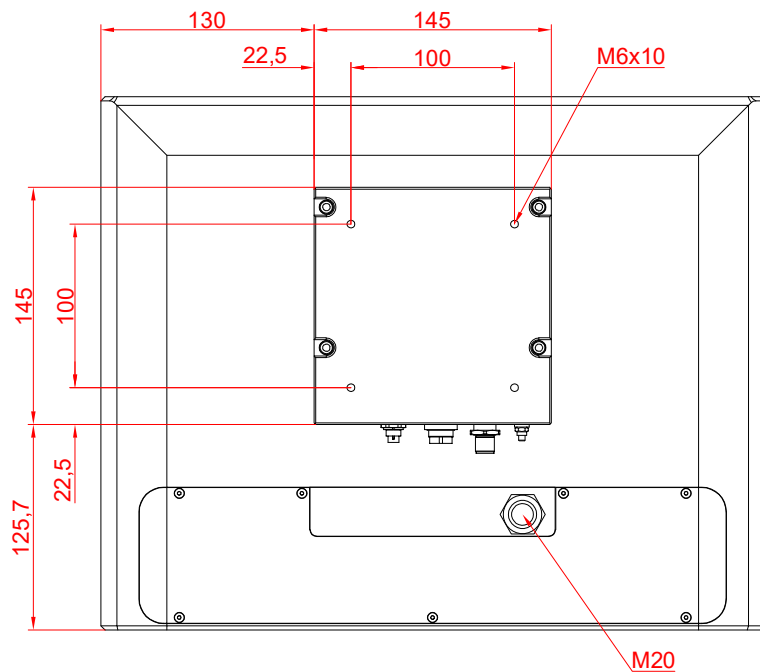
dimensions in mm



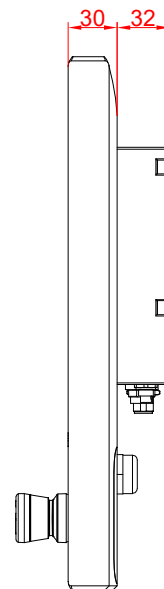
bottom view



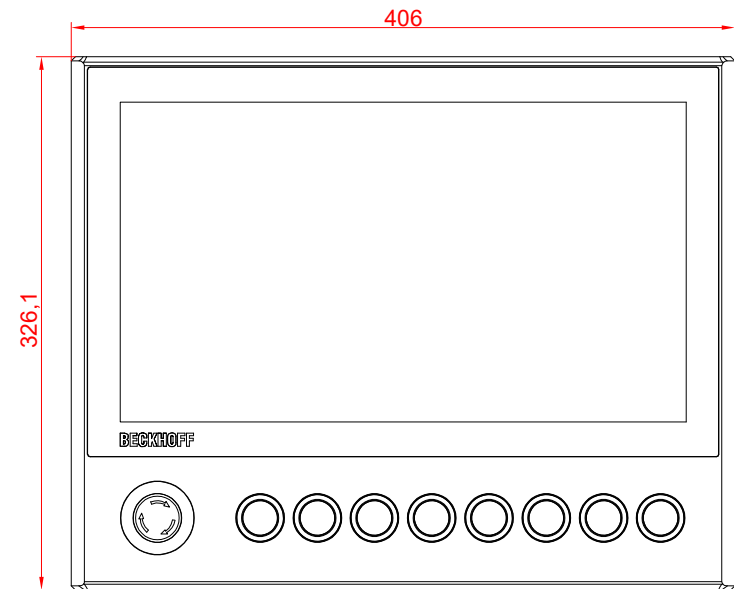
CP3916
C9900-G024



rear view



side view



front view