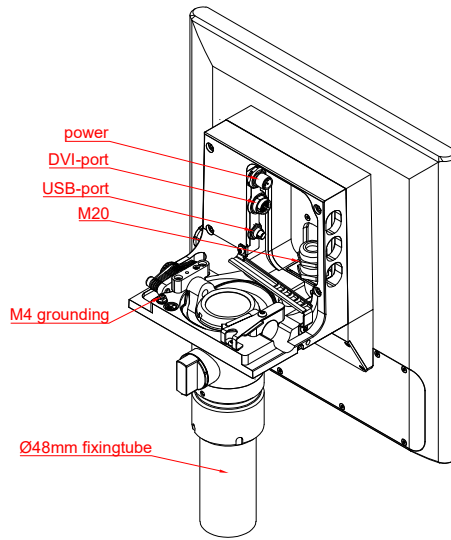
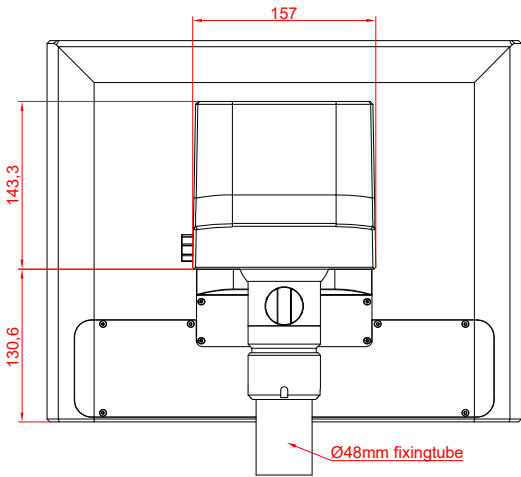


bottom view



power
DVI-port
USB-port
M20
M4 grounding

Ø48mm fixingtube

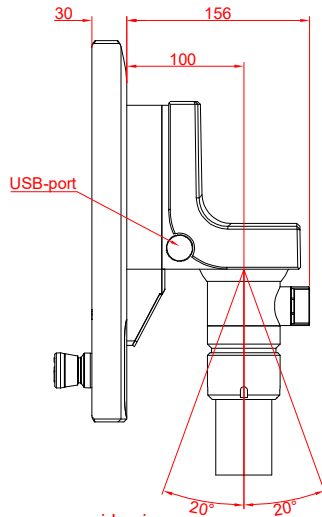


rear view

143.3
130.6

157

Ø48mm fixingtube



side view

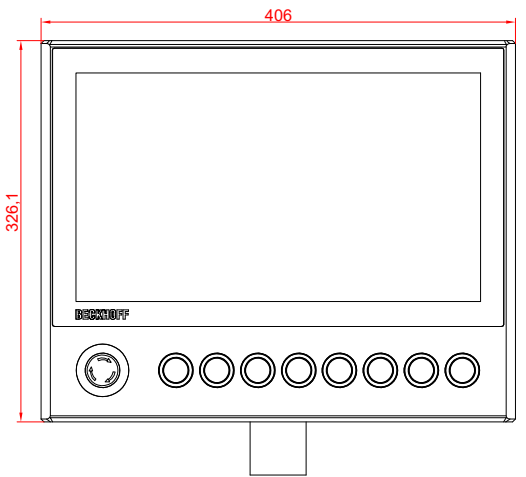
30

156

100

USB-port

20° 20°



front view

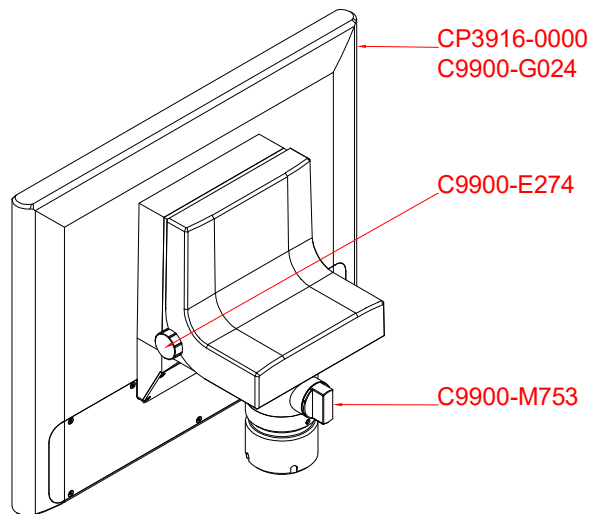
406

326.1

CP3916-0000
with
C9900-G024
C9900-M753
C9900-E274

main dimensions and
fixing points

dimensions in mm



CP3916-0000
C9900-G024

C9900-E274

C9900-M753