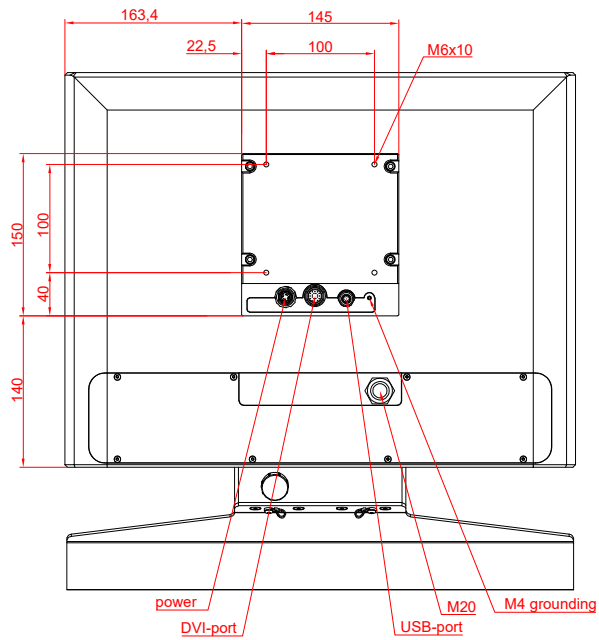
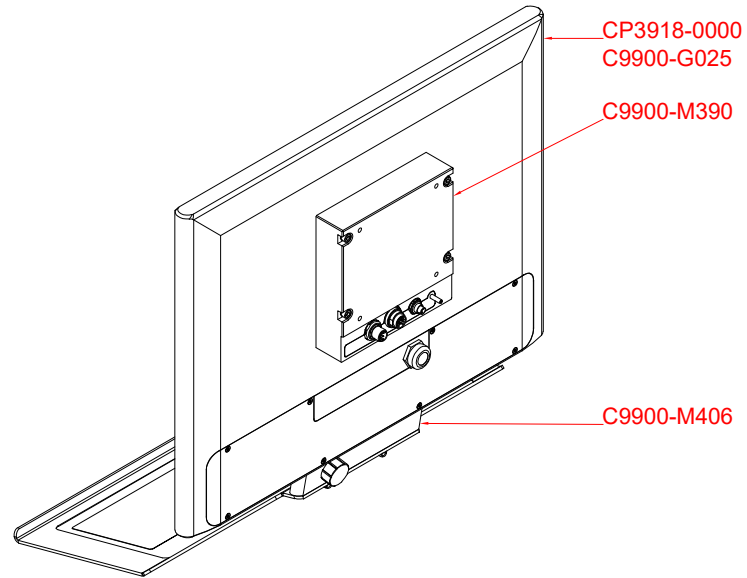
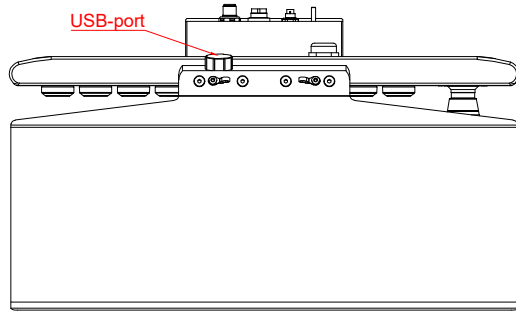


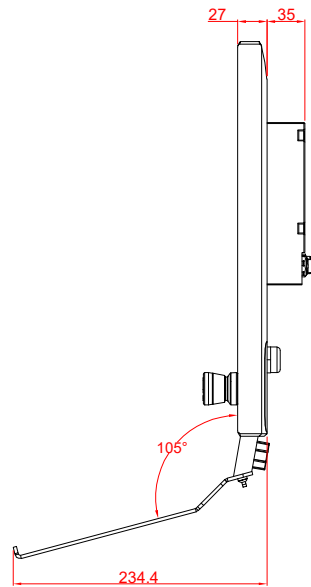
CP3918-0000  
with  
C9900-G025  
C9900-M390  
C9900-M406

main dimensions and  
fixing points

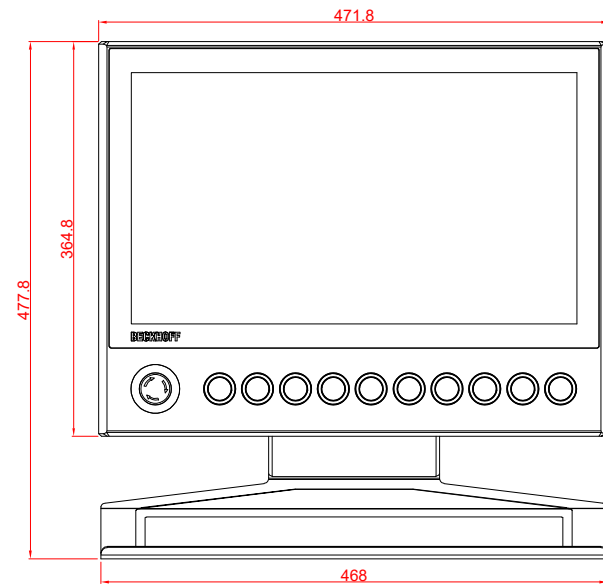
dimensions in mm



rear view



side view



front view