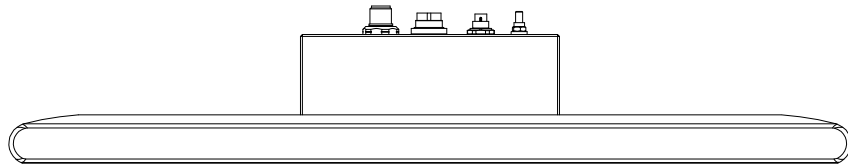


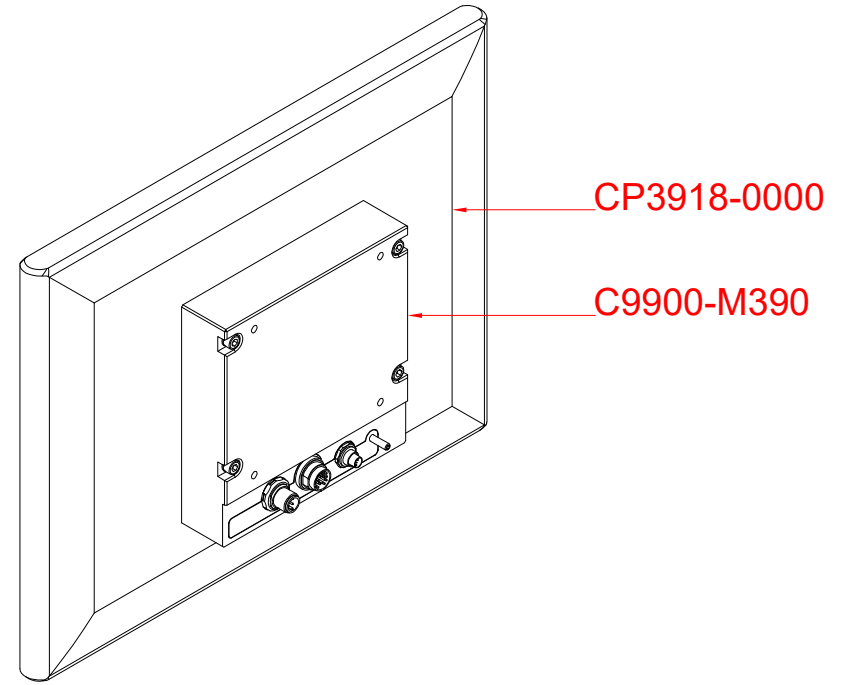
CP3918-0000
with
C9900-M390

main dimensions and
fixing points

dimensions in mm

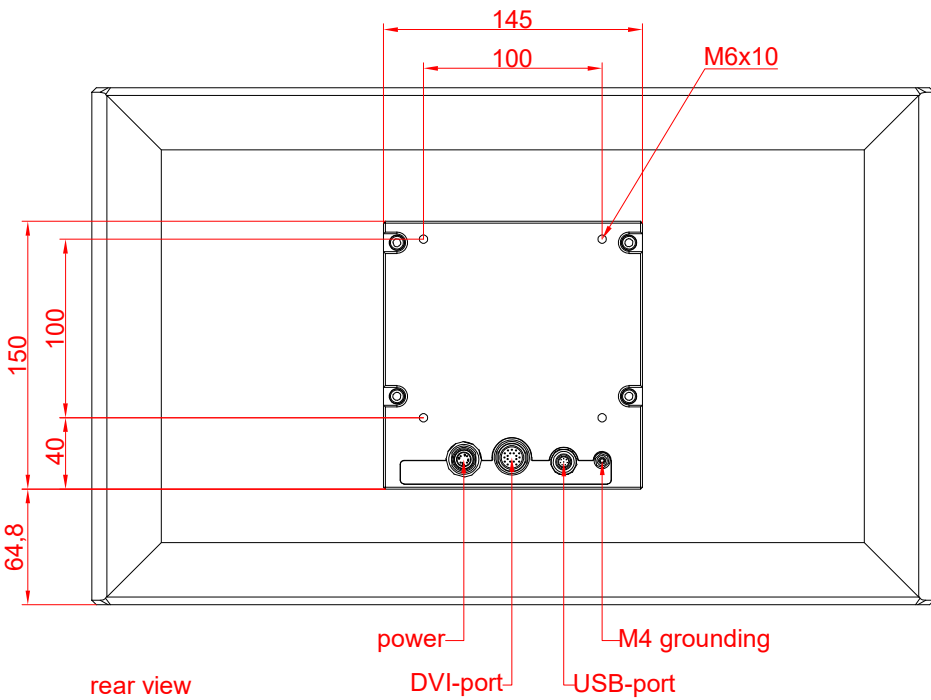


bottom view



CP3918-0000

C9900-M390



rear view

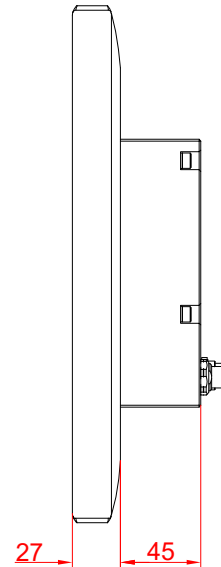
power

DVI-port

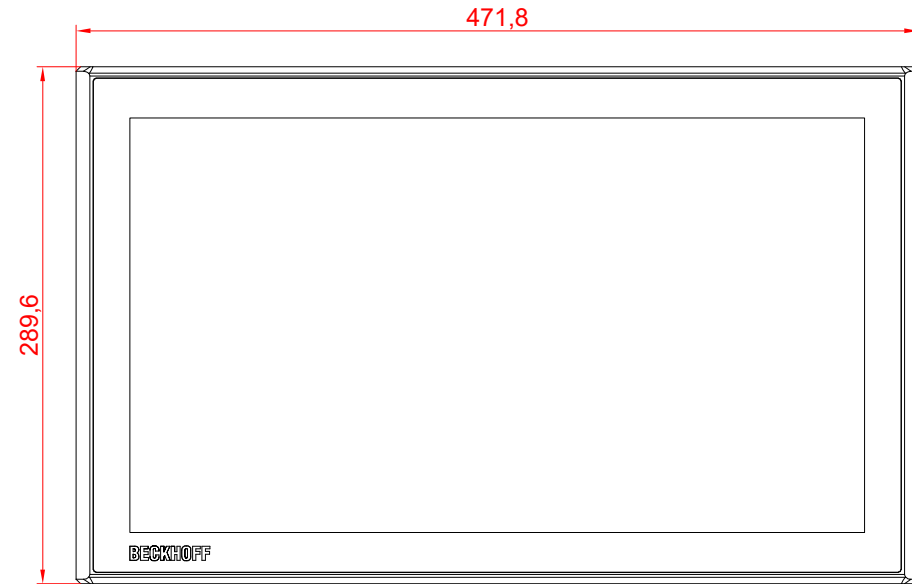
USB-port

M4 grounding

M6x10



side view



front view