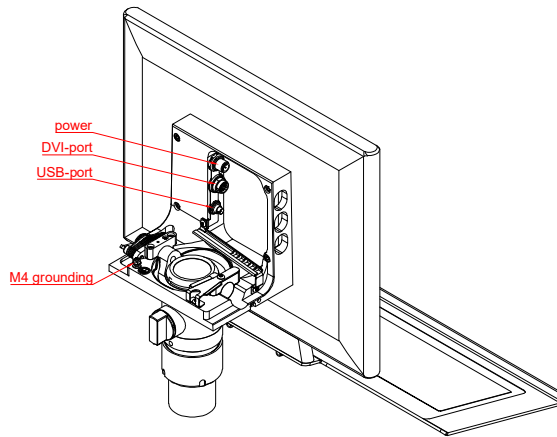
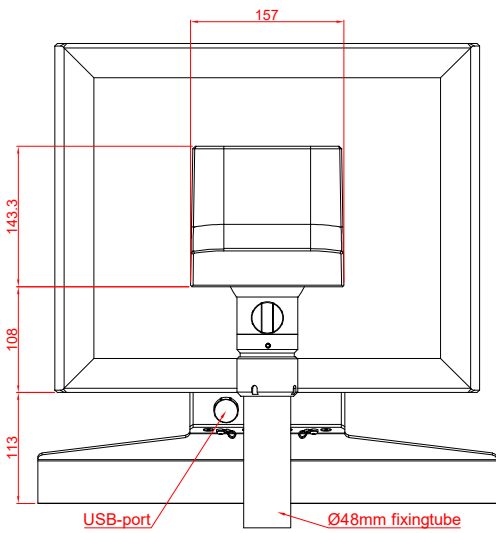


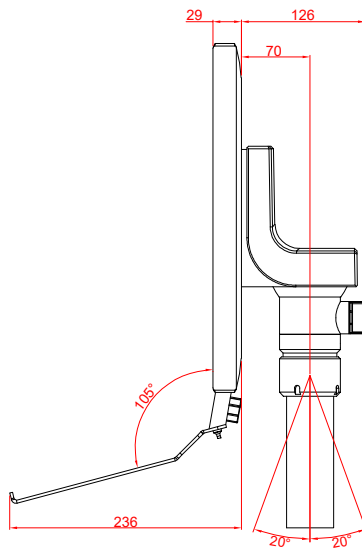
bottom view



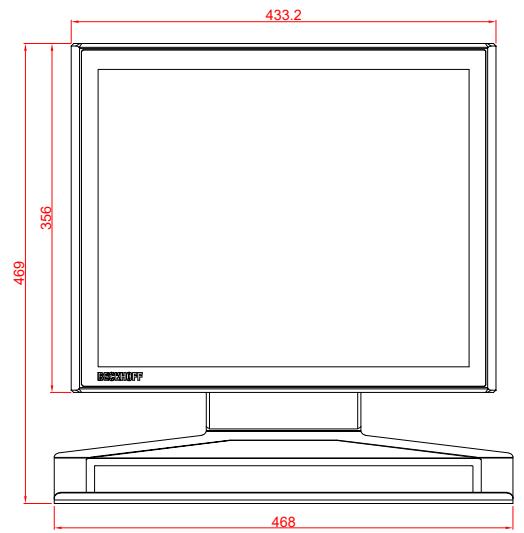
power
DVI-port
USB-port
M4 grounding



rear view



side view

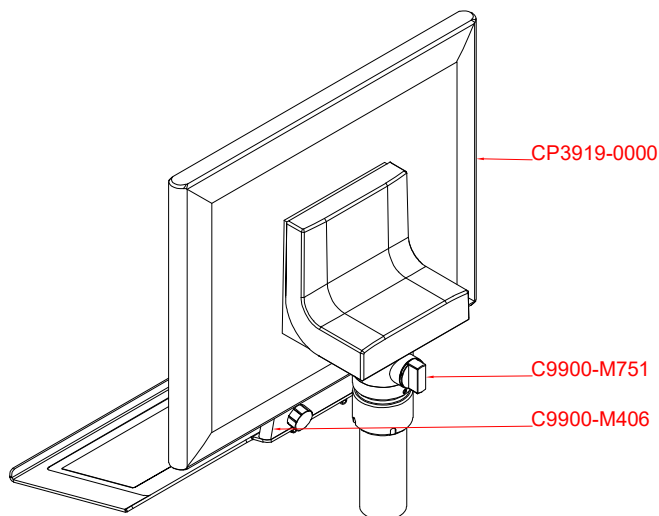


front view

CP3919-0000
with
C9900-M751
C9900-M406

main dimensions and
fixing points

dimensions in mm



CP3919-0000

C9900-M751

C9900-M406