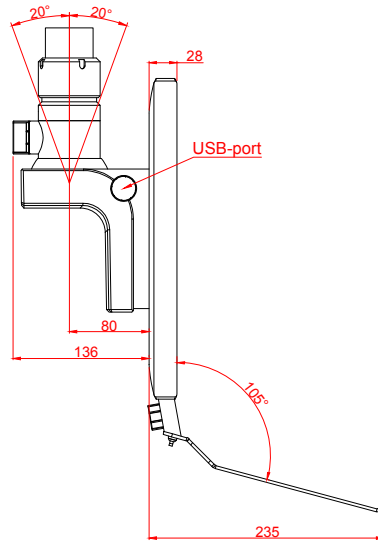
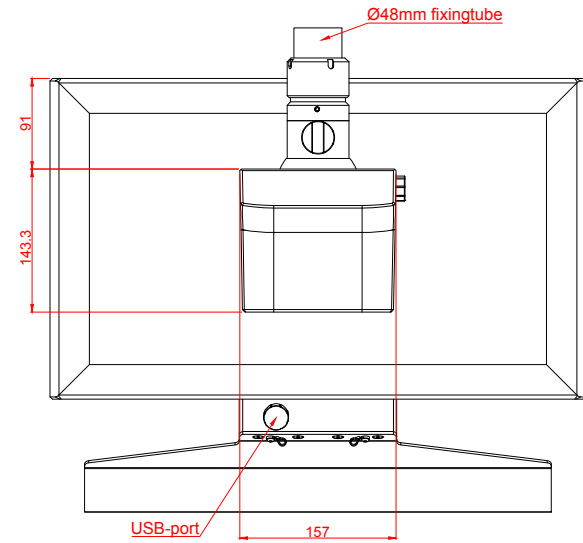


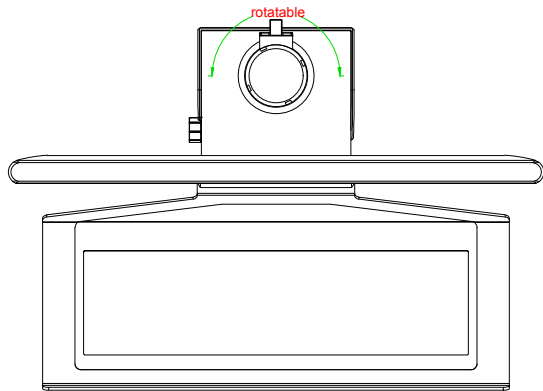
front view



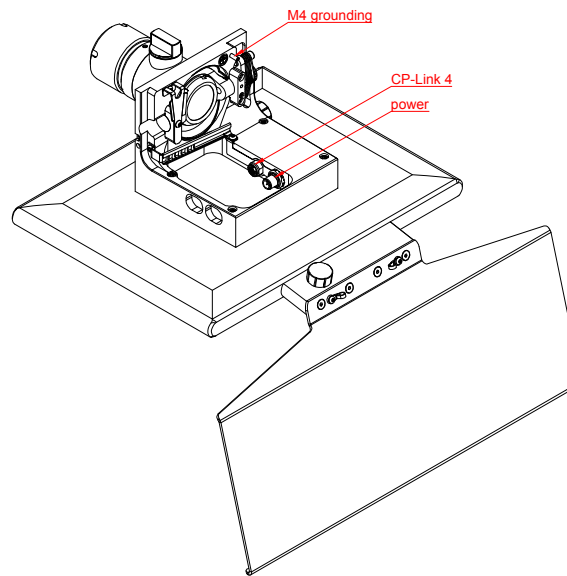
left view



rear view



top view



CP3921-0010-M750-E274-M406

main dimensions and  
fixing points

dimensions in mm