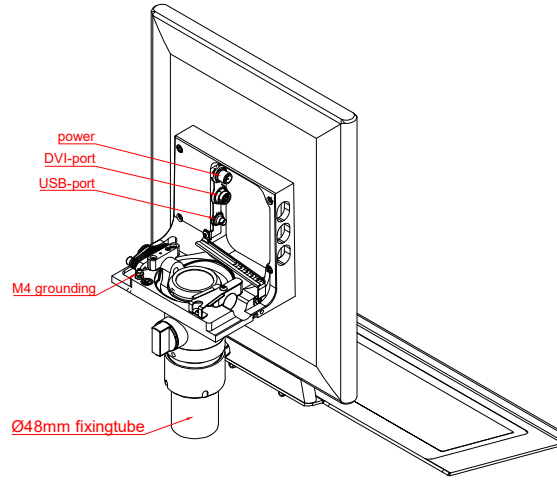


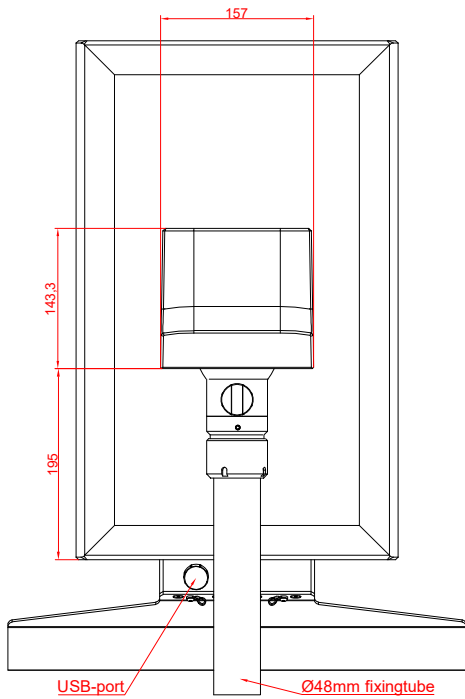
bottom view



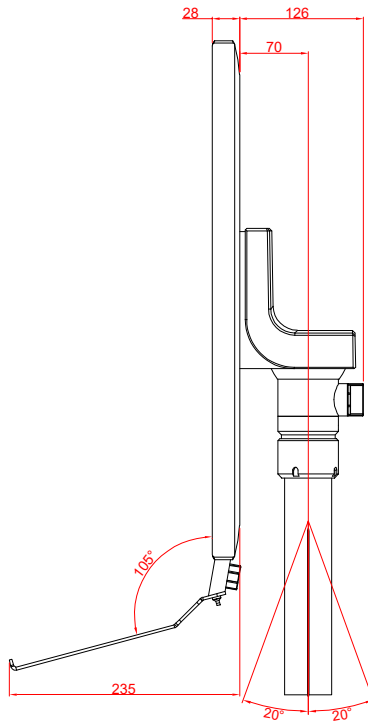
power  
DVI-port  
USB-port

M4 grounding

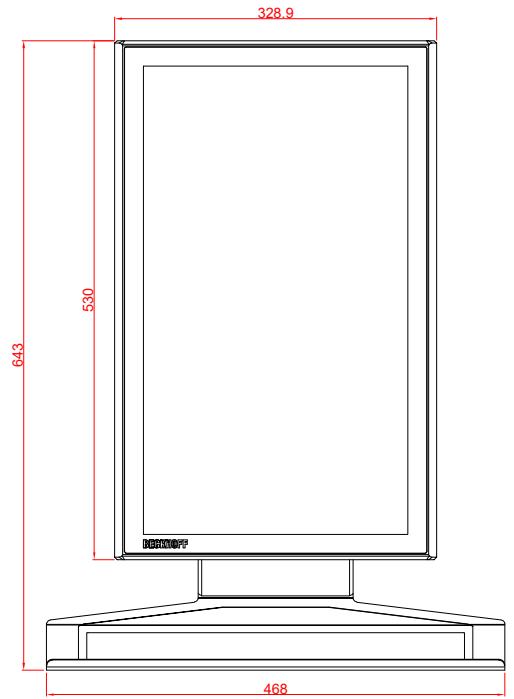
Ø48mm fixingtube



rear view



side view

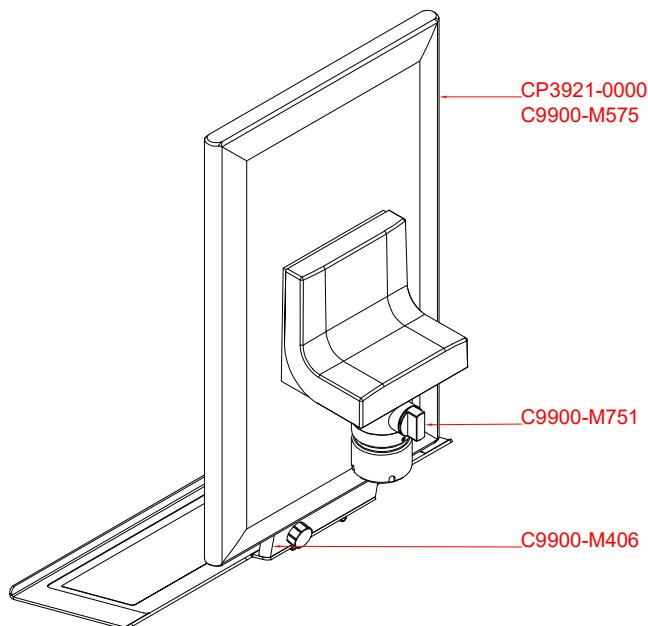


front view

CP3921-0000  
with  
C9900-M575  
C9900-M751  
C9900-M406

main dimensions and  
fixing points

dimensions in mm



CP3921-0000  
C9900-M575

C9900-M751

C9900-M406