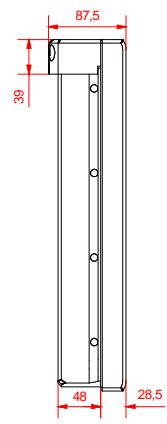
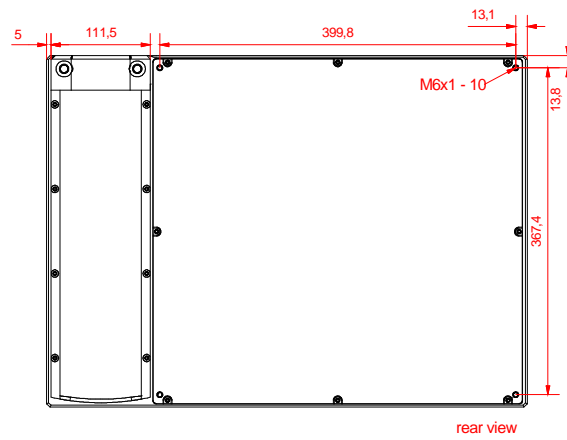


bottom view

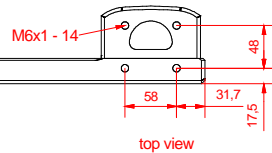
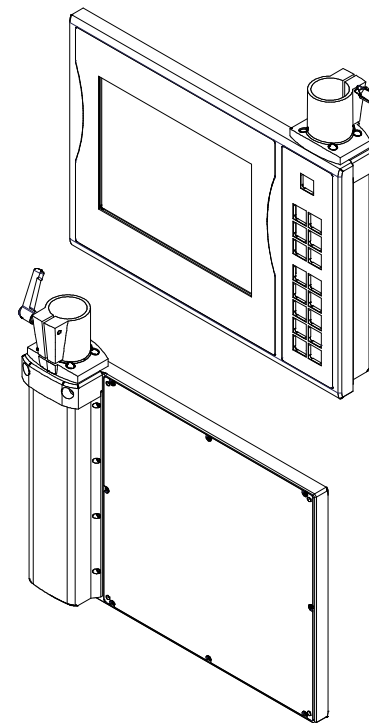
front view



left view



rear view



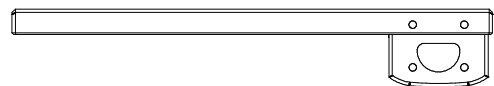
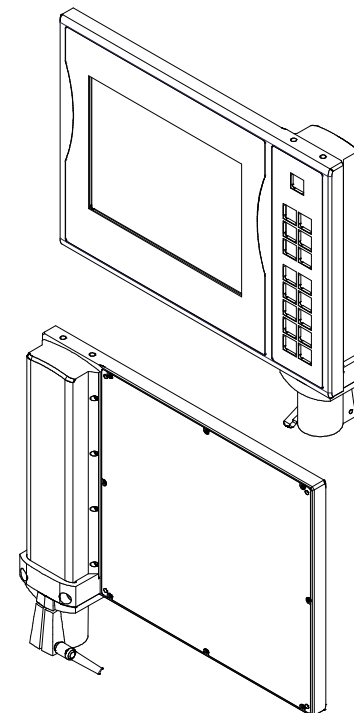
top view

CP7002 - 0010 - E648

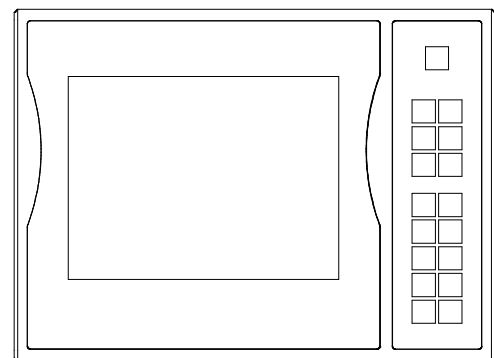
arm adapter for
Rolec - Tara - suspension adaption
146.025.019

main dimensions and
fixing points

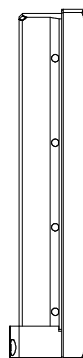
dimensions in mm



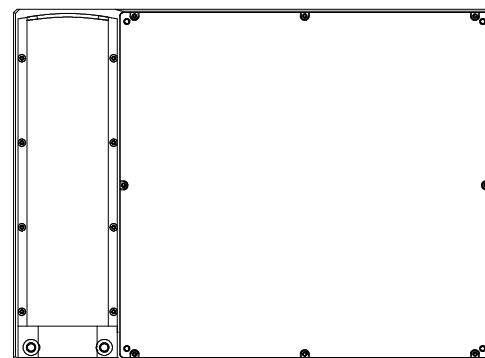
bottom view



front view



left view



rear view



top view