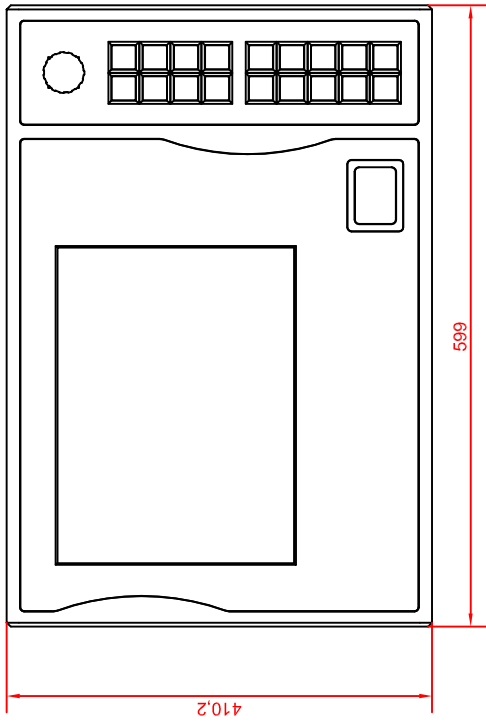
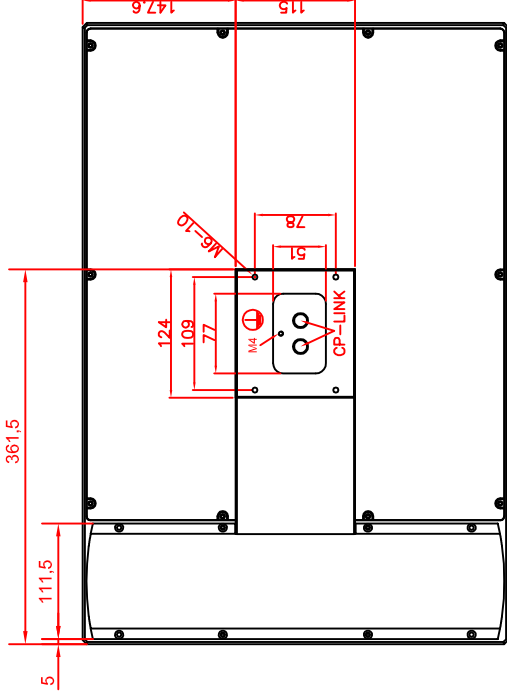


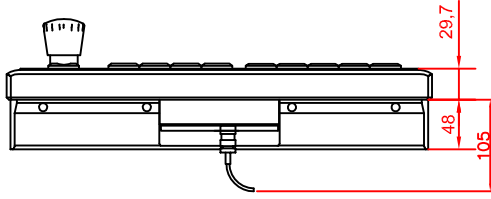
bottom view



front view



rear view

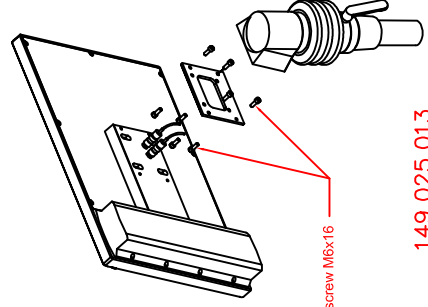


left view

CP7032-0002-E778
arm adapter for
Rolec - Taira - suspension adaption
146.025.019

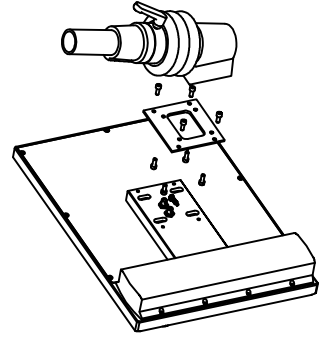
main dimensions and
fixing points

dimensions in mm



8x cheese head screw M6x16

149.025.013



149.025.014