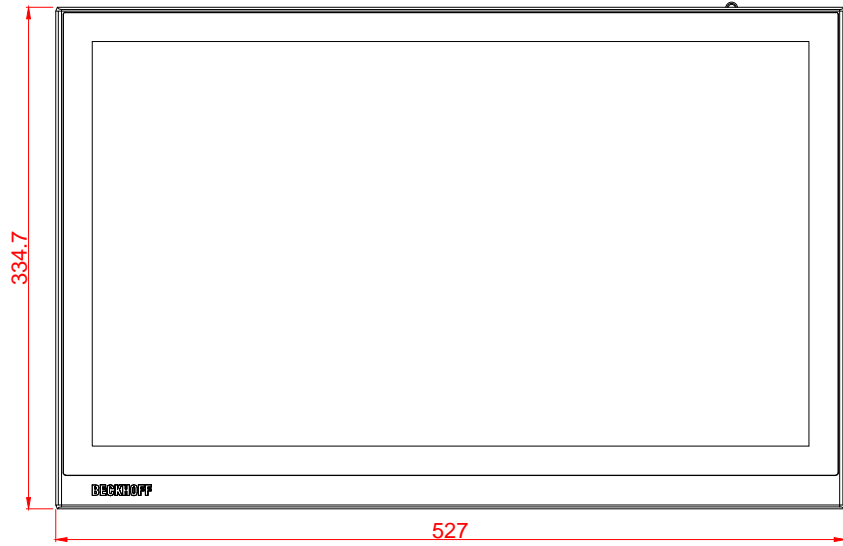
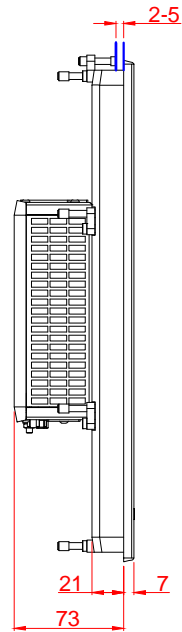


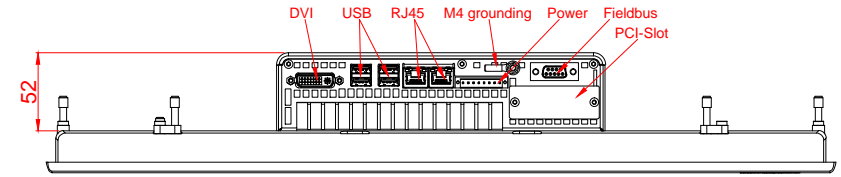
CP2721
main dimensions and
fixing points
dimensions in mm



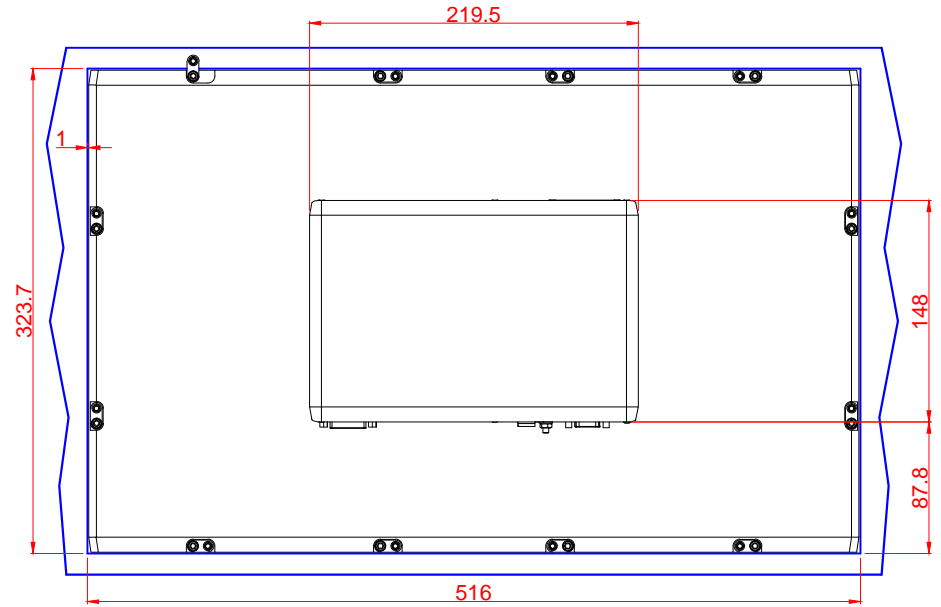
front view



left view

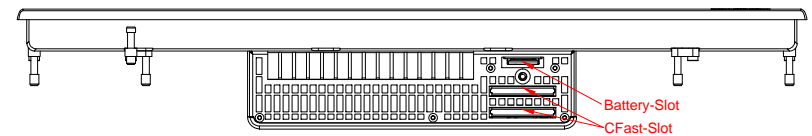


bottom view



cut out dimensions: 323.7mm x 516mm

rear view



top view