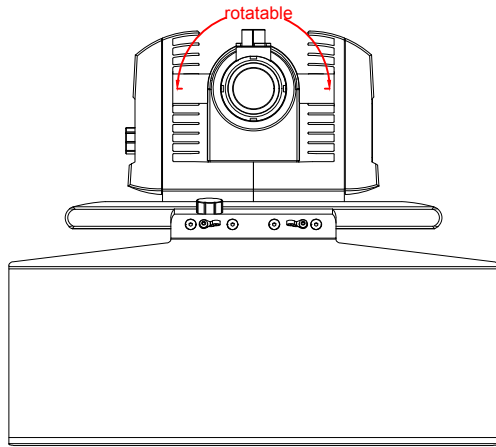


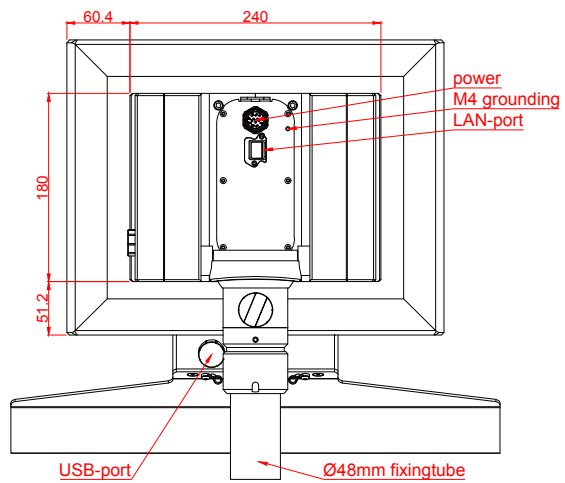
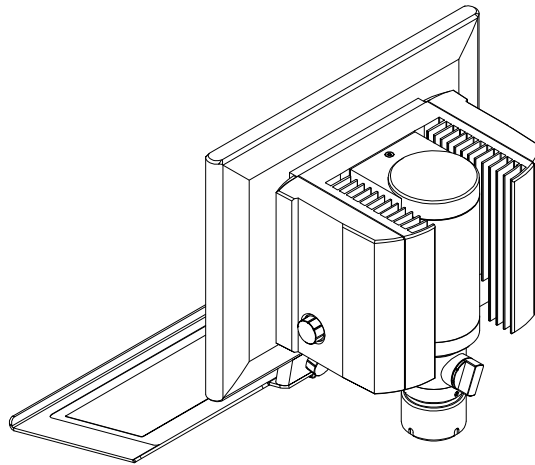
CP3215-M184-E281-M406

main dimensions and  
fixing points

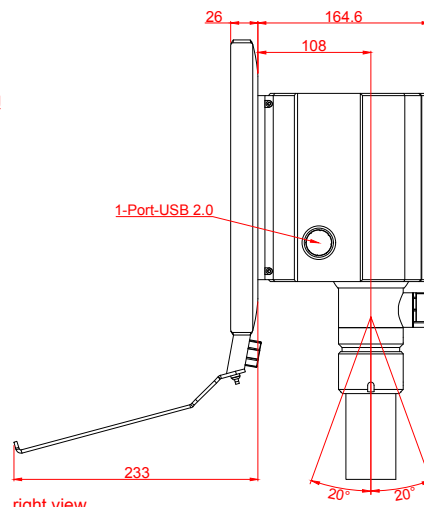
dimensions in mm



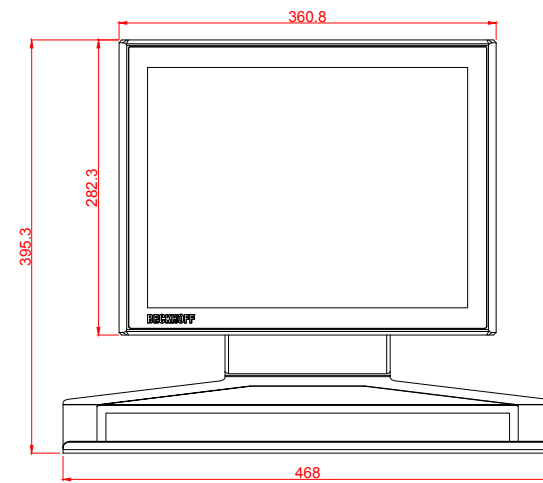
bottom view



rear view



right view



front view