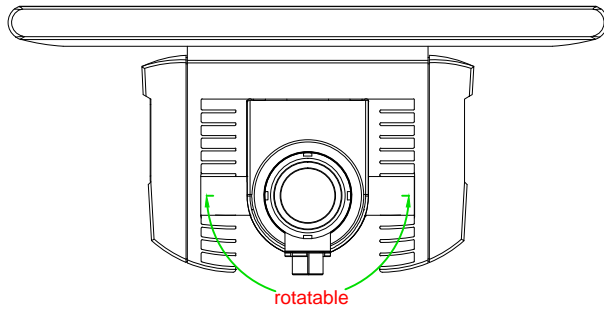
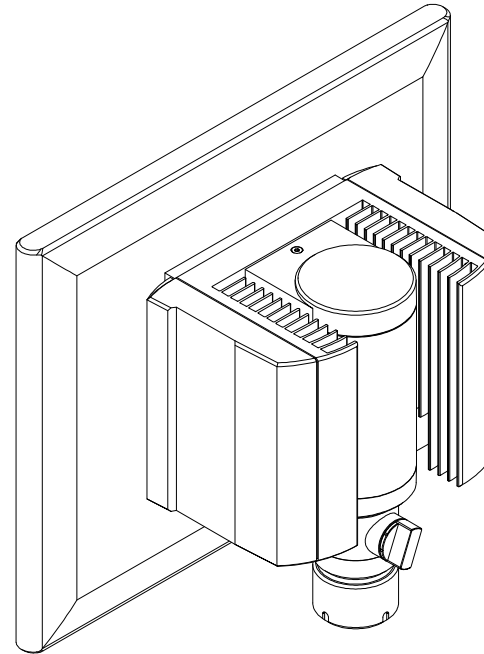


CP3219-M184

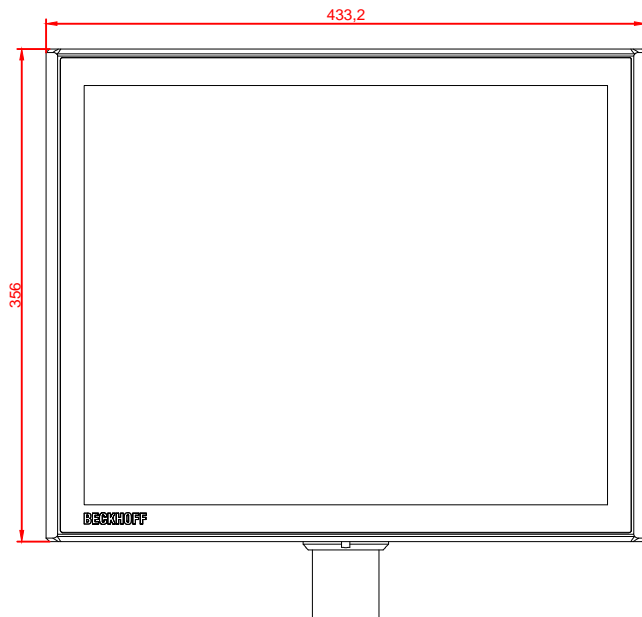
main dimensions and
fixing points

dimensions in mm

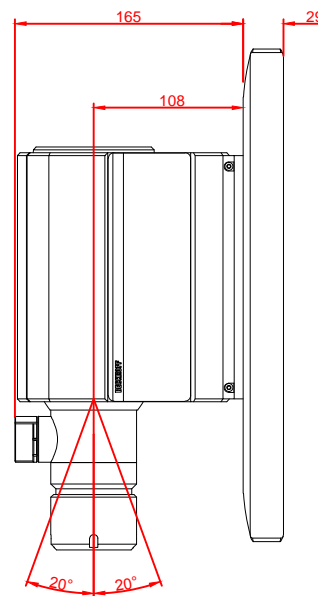


rotatable

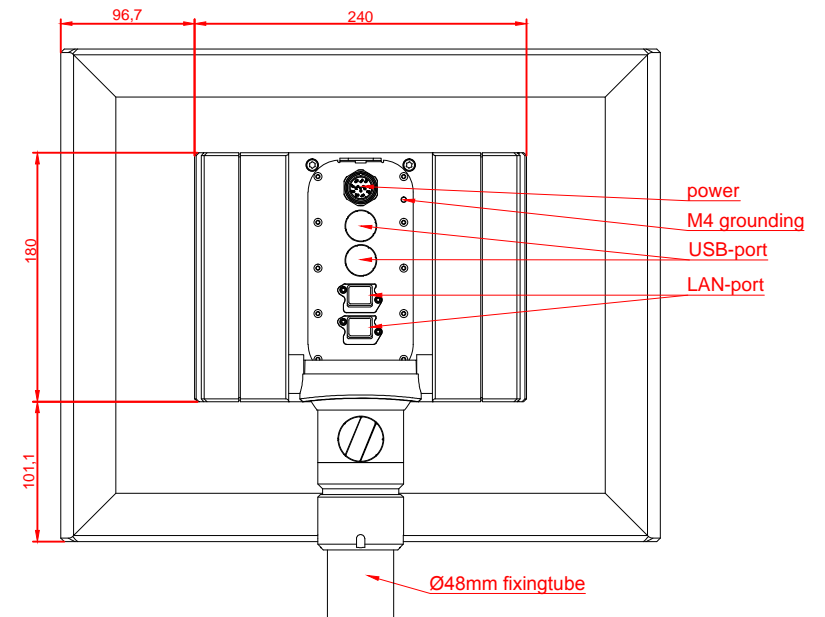
bottom view



front view



left view



rear view

power
M4 grounding
USB-port
LAN-port

Ø48mm fixingtube