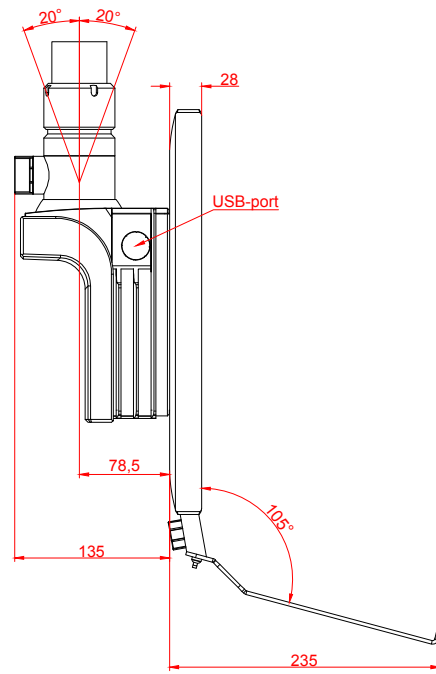
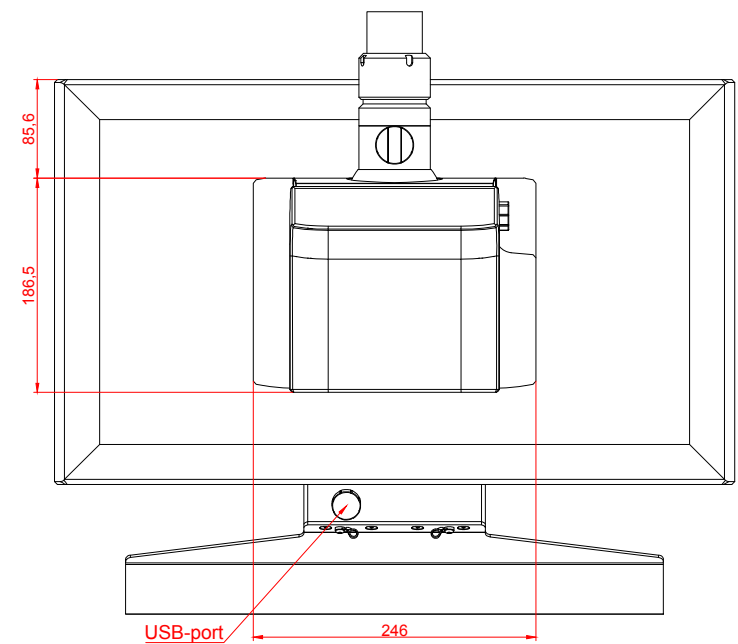


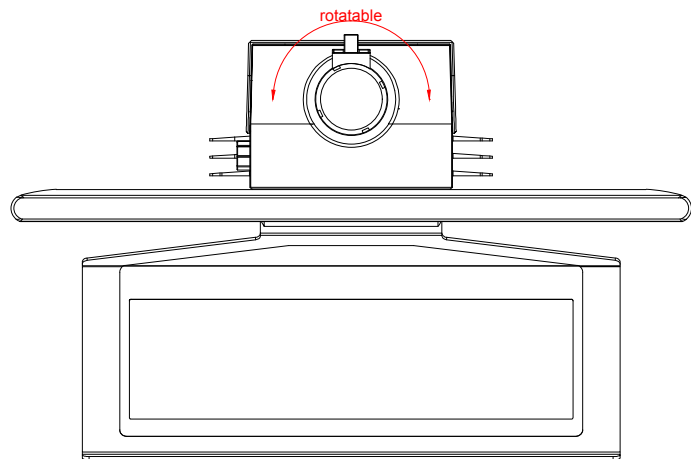
front view



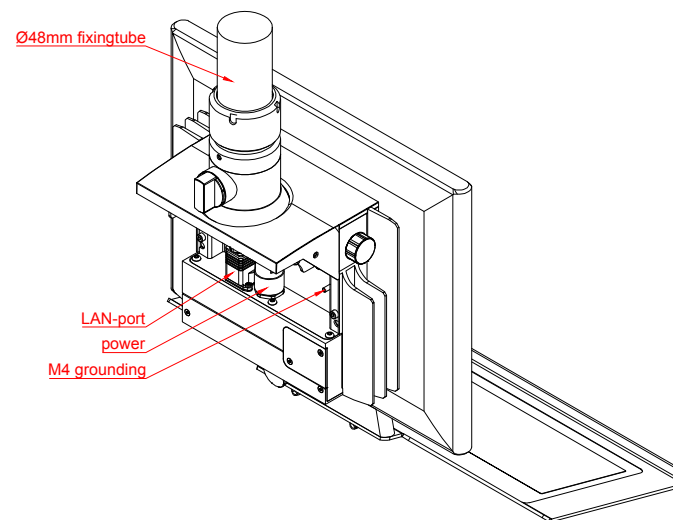
left view



rear view



top view



CP3724-E274-M406

main dimensions and
fixing points

dimensions in mm