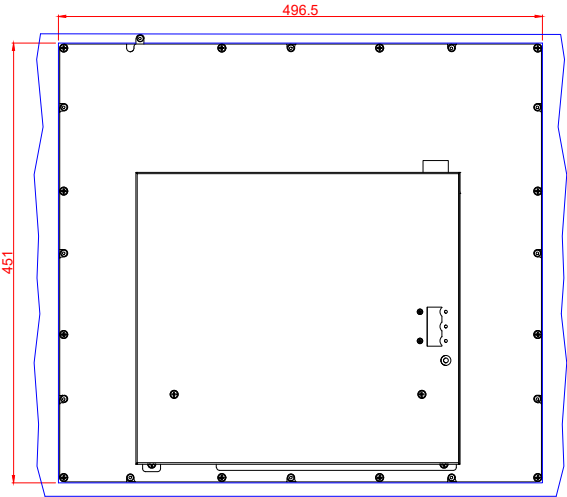
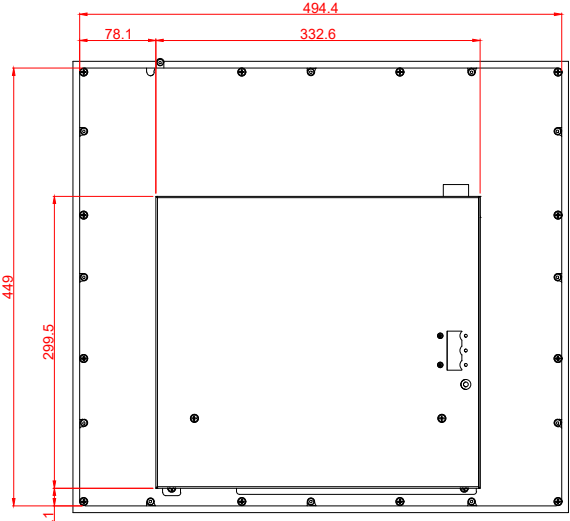


CP6503
main dimensions and
fixing points

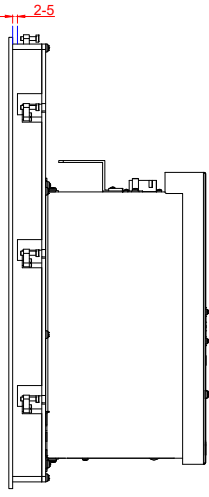
dimensions in mm



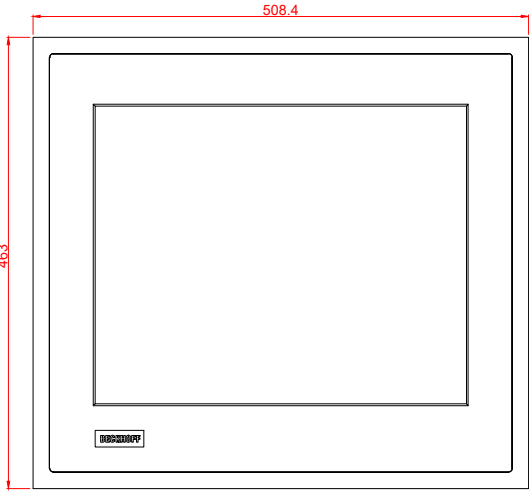
cut out dimensions: 451mm x 496,5mm



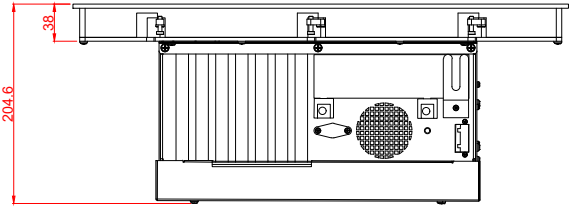
rear view



side view



front view



top view

