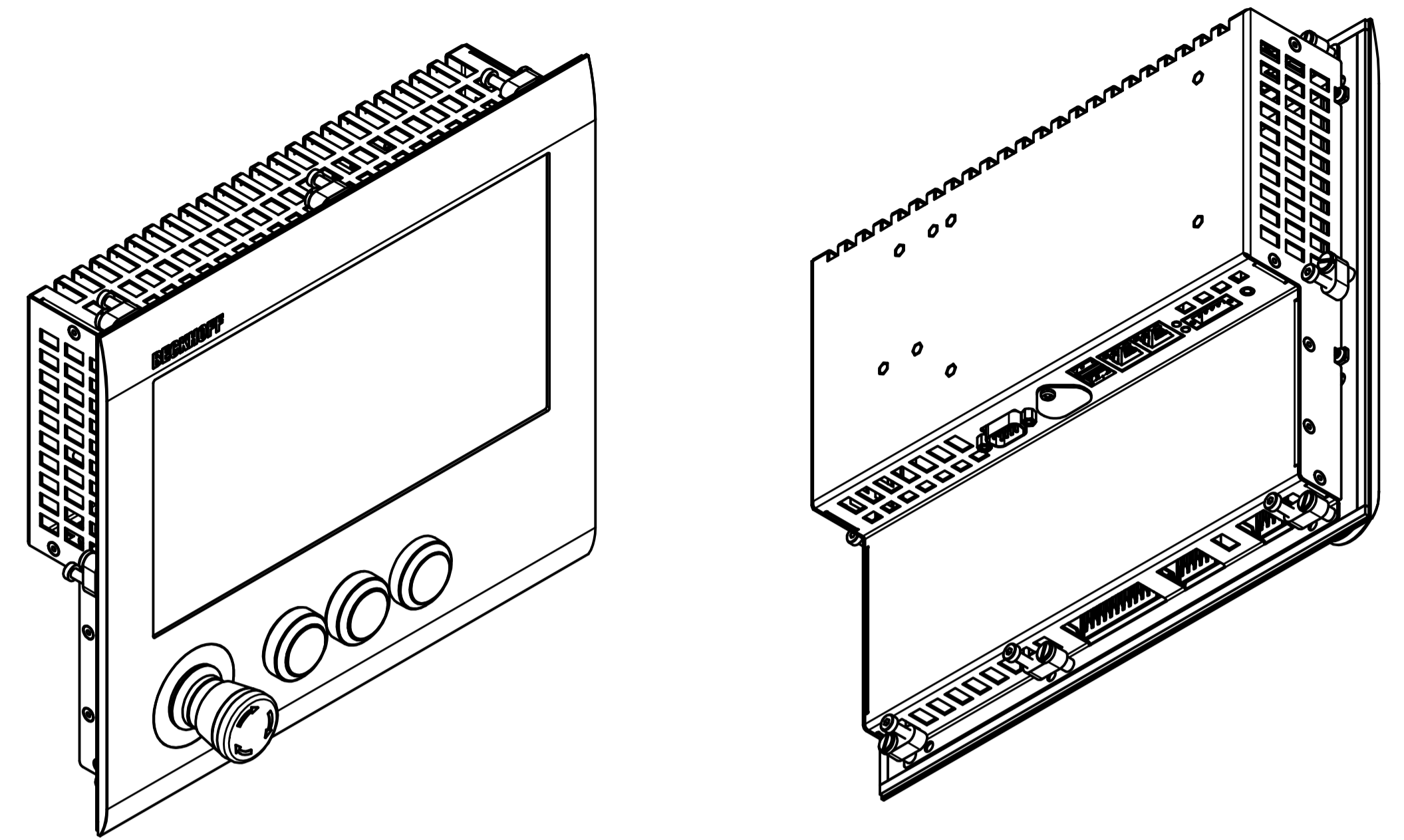
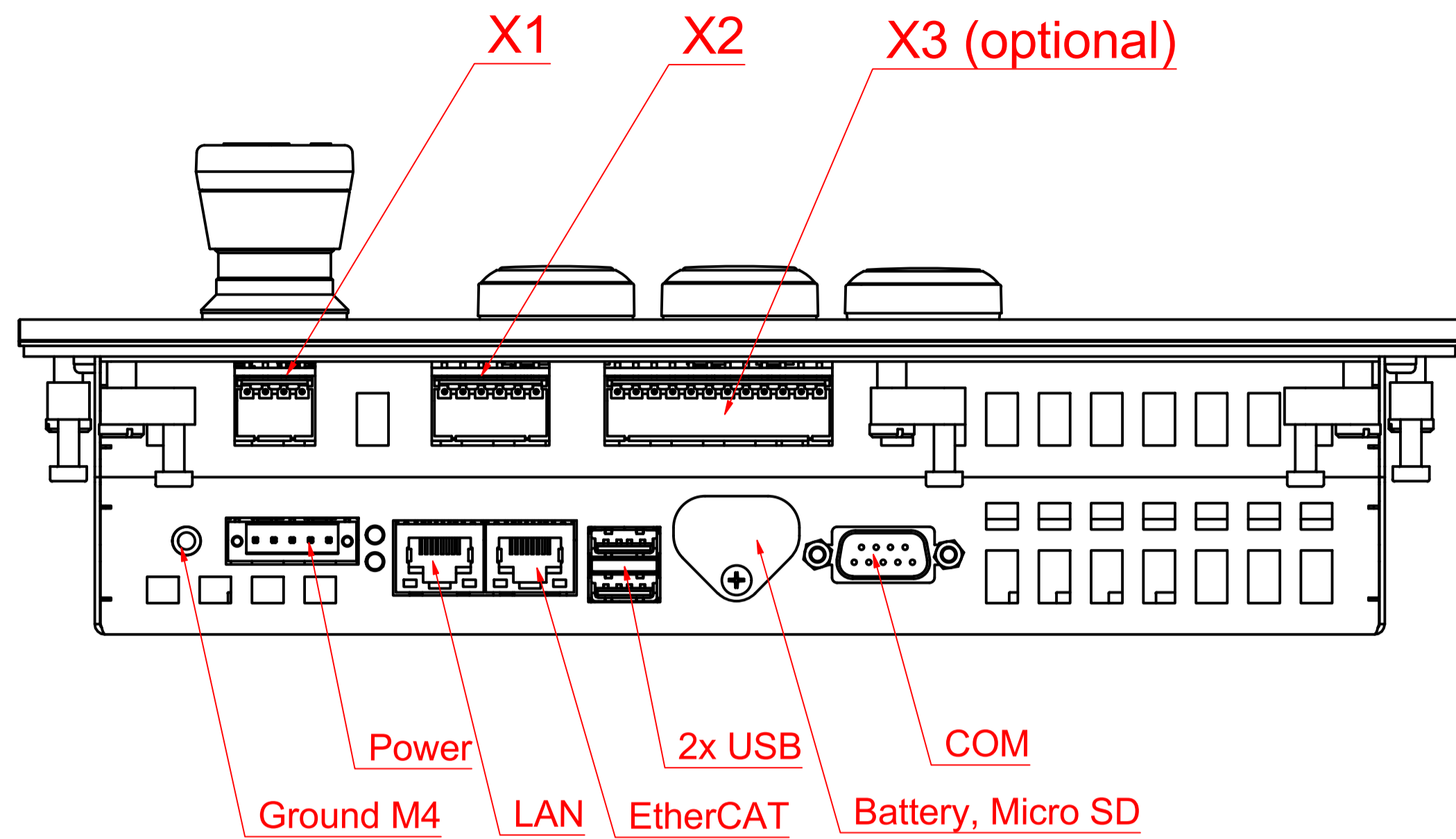


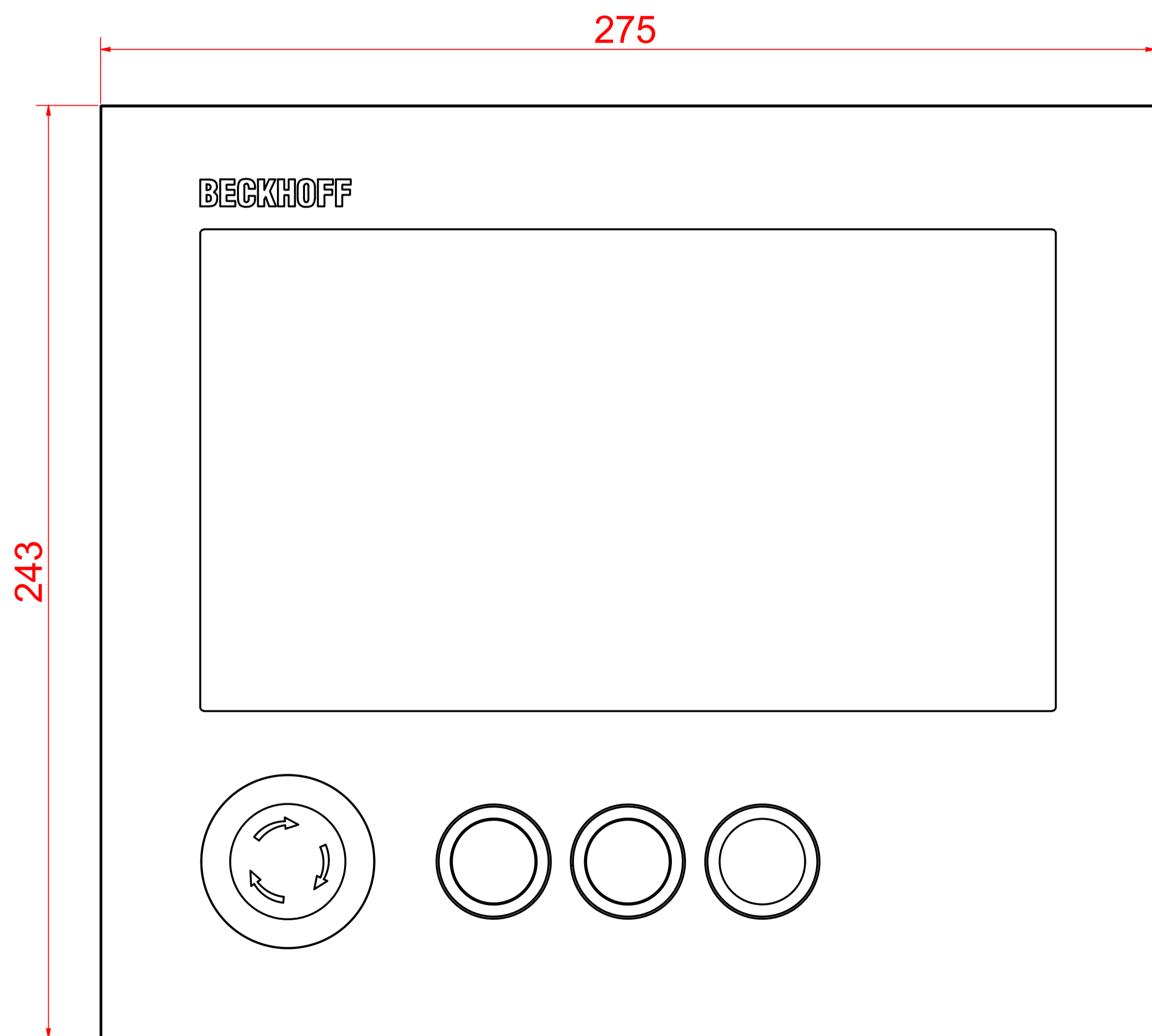
# CP6600-0001 with TEW

main dimensions and  
fixing points

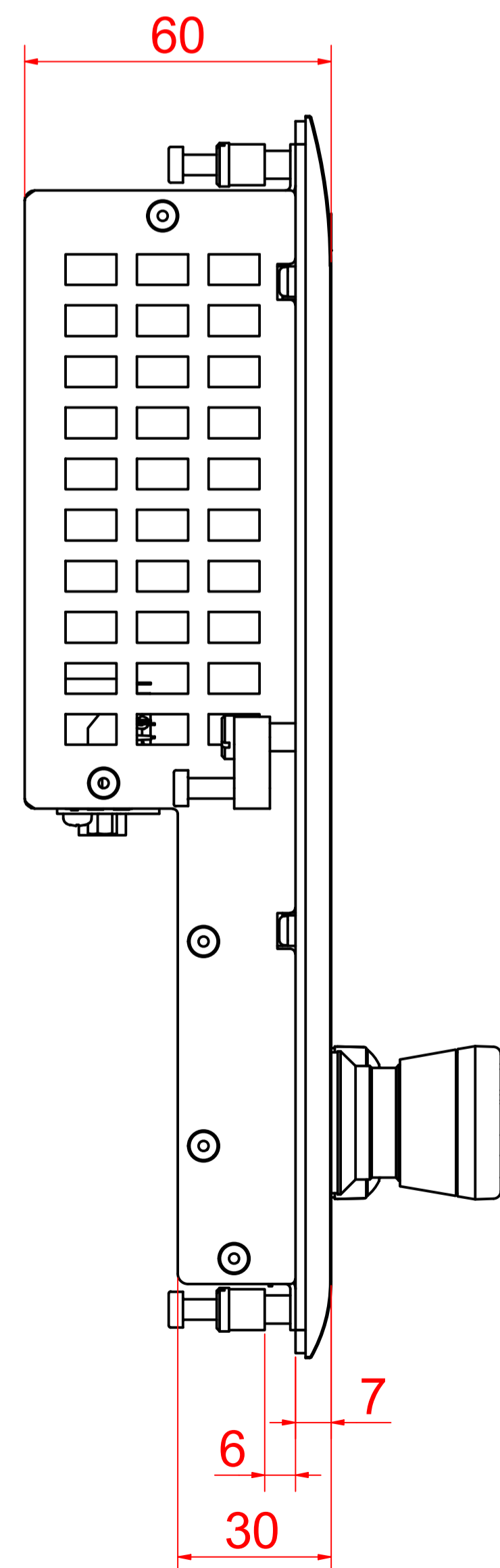
dimensions in mm



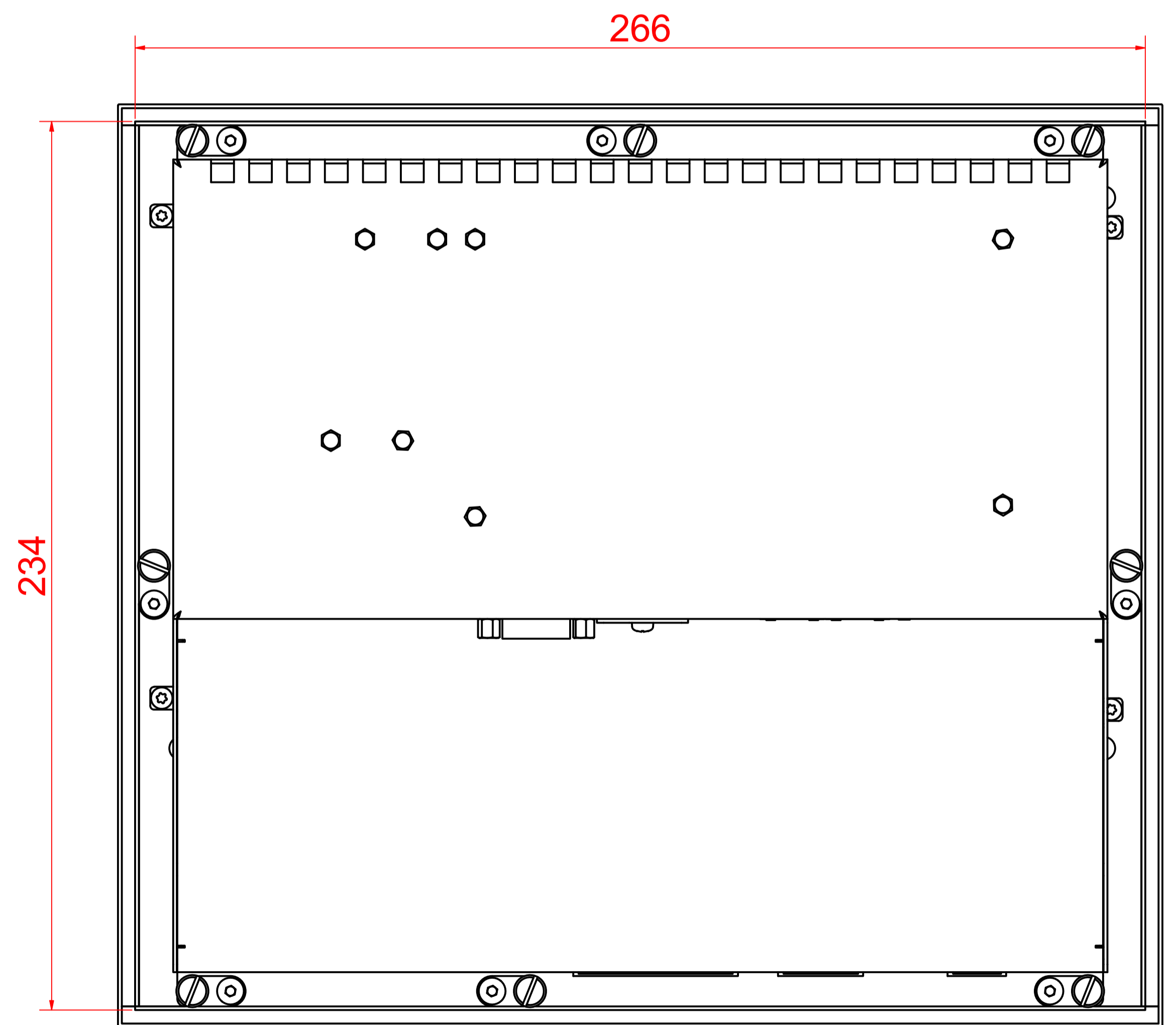
bottom view



front view



left view



rear view  
with cut out dimensions