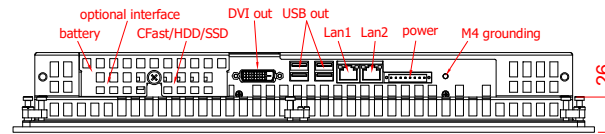


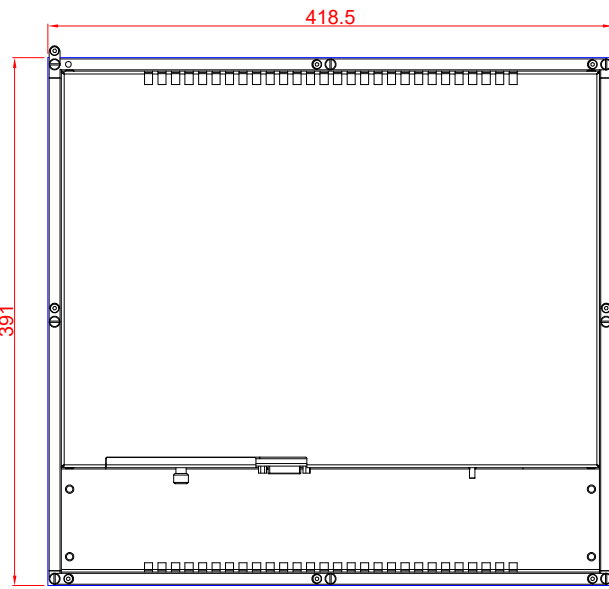
CP6712-0001-0040

main dimensions and
fixing points

dimensions in mm

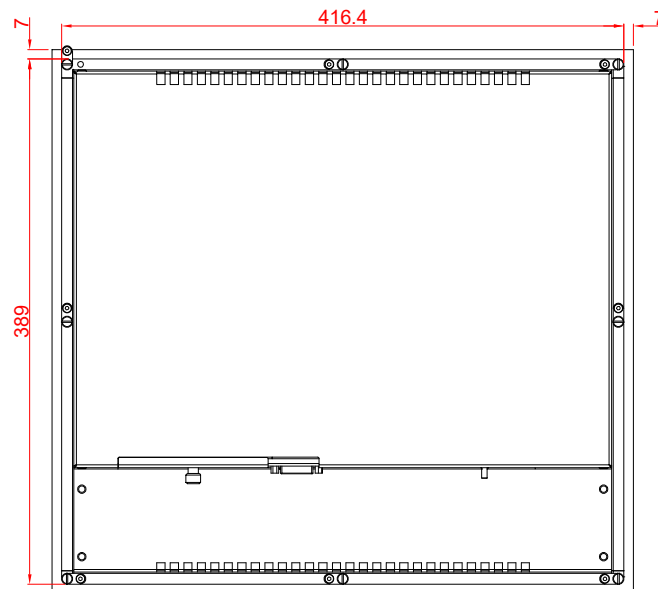


bottom view

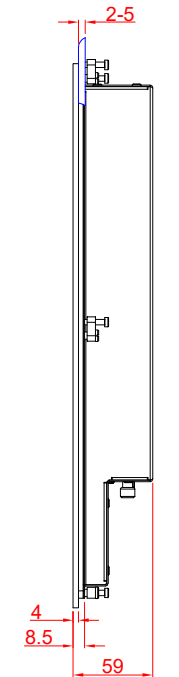


cut out dimensions: 391mm x 418.5mm

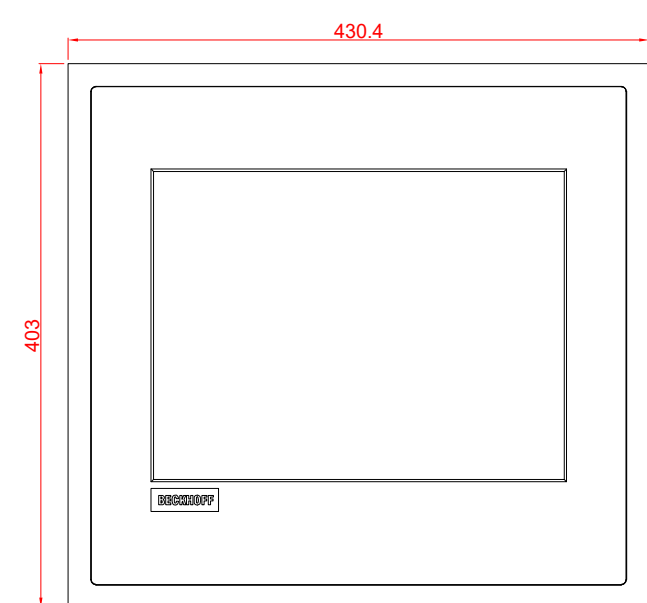
rear view



rear view



side view



front view