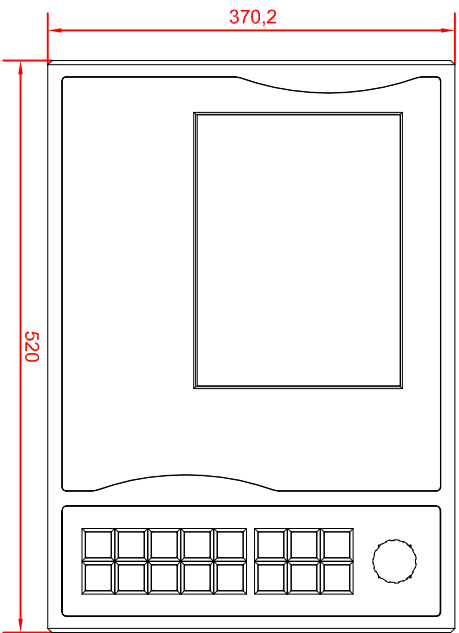
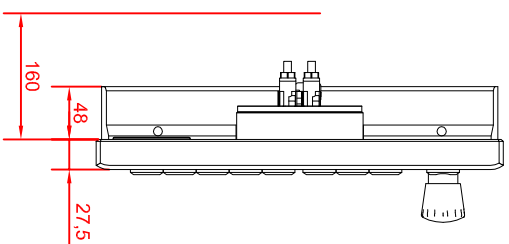


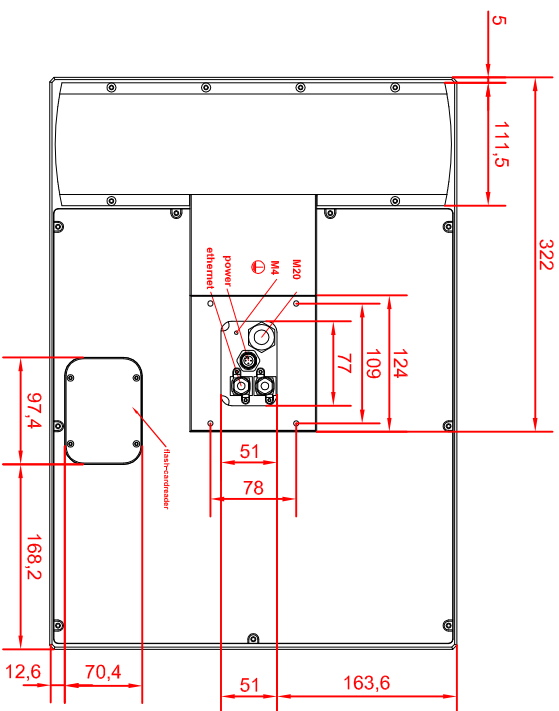
bottom view



front view



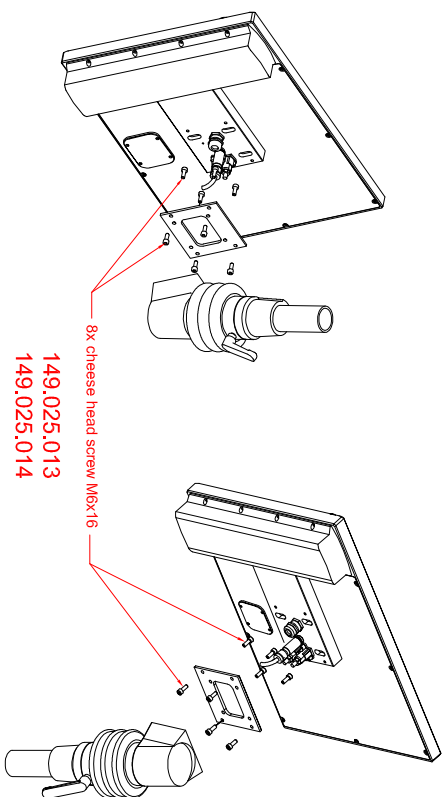
left view



rear view

CF7831-0001-E718
arm adapter for
Rolec - Tara - suspension adaption
146.025.019

main dimensions and
fixing points
dimensions in mm



8x cheese head screw M6x16

149.025.013
149.025.014